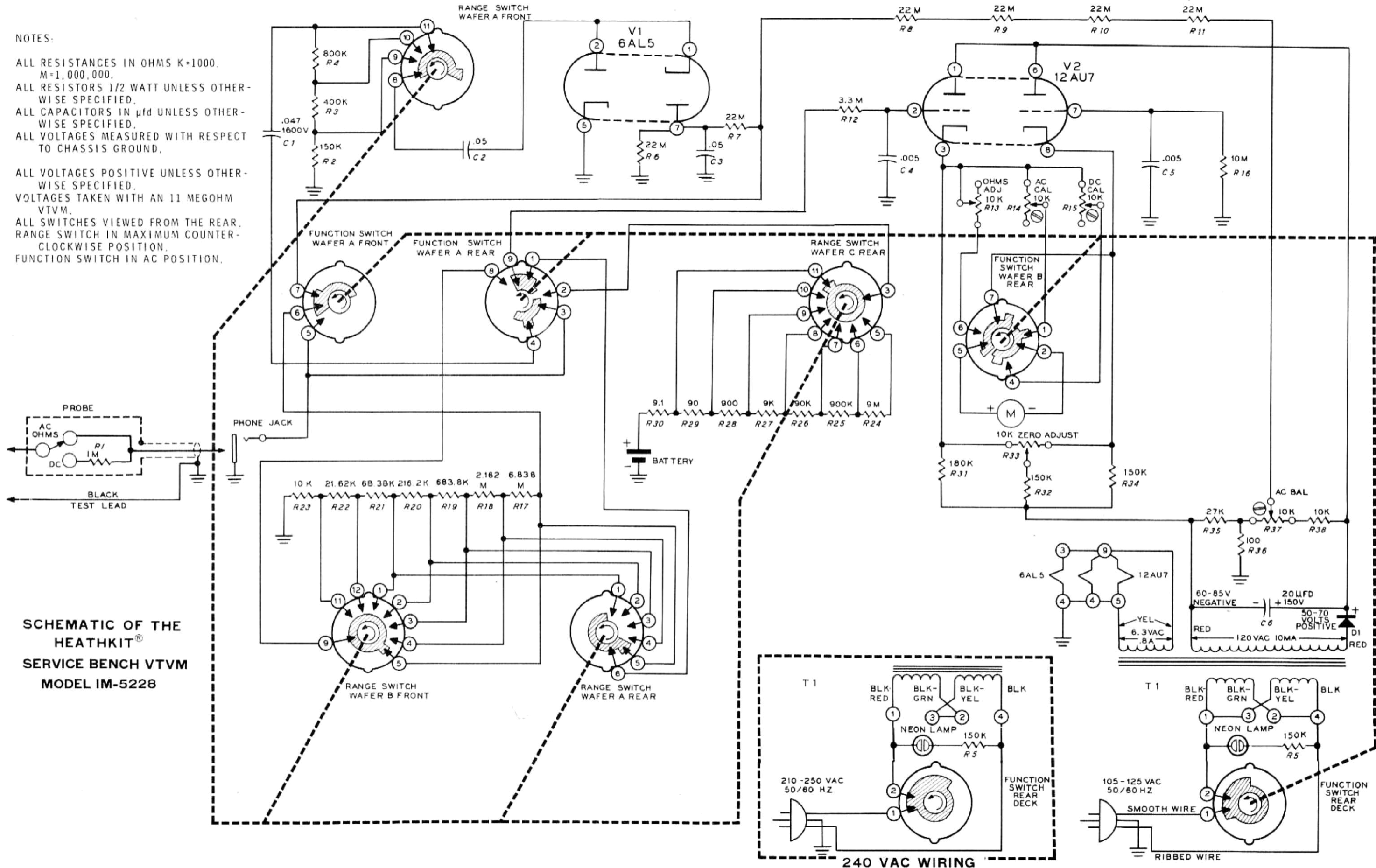


NOTES:

- ALL RESISTANCES IN OHMS K=1000, M=1,000,000.
- ALL RESISTORS 1/2 WATT UNLESS OTHERWISE SPECIFIED.
- ALL CAPACITORS IN  $\mu$ FD UNLESS OTHERWISE SPECIFIED.
- ALL VOLTAGES MEASURED WITH RESPECT TO CHASSIS GROUND.
- ALL VOLTAGES POSITIVE UNLESS OTHERWISE SPECIFIED.
- VOLTAGES TAKEN WITH AN 11 MEGOHM VTVM.
- ALL SWITCHES VIEWED FROM THE REAR, RANGE SWITCH IN MAXIMUM COUNTER-CLOCKWISE POSITION, FUNCTION SWITCH IN AC POSITION.



**SCHEMATIC OF THE  
HEATHKIT®  
SERVICE BENCH VTVM  
MODEL IM-5228**

**240 VAC WIRING**

**RIBBED WIRE**