

**R****F**

ORANGE COUNTY AMATEUR RADIO CLUB

P.O. BOX 1074, ORANGE, CA., 92668

MARCH 15th PROGRAM -

Bob Blumencrantz, NI6R will be demonstrating his remote base and cross band link system. Come and see Bob use his portable 2 meter transceiver to have complete control over his base HF station. Bob can change bands, QSY, rotate his HF antennas, increase power, etc. all from his handie talkie. Bob is President of Engineering Consulting. His company markets the Remote A Pad, a remote control interface board and DTMF decoder, and the Audio Blaster, which corrects the low audio problem in the Icom IC-02AT.

Future Programs -

April 19, 1985 - Harold Price, NK6K will be making an excellent presentation on Packet Radio. Harold is one the pioneers of packet radio, having been closely involved in its early development. In addition to his talk, we hope to have some live demonstrations, with some hands on opportunities for the club members. New packet stations are coming on the air each day, and you can get in on it too. Come to this meeting to find out all about it.

73's and CUL AR de KG6DK- Herb SK.

PIZZA PARTY

SAT. MARCH 16TH

See Page 5 for Details

1985 CLUB BOARD of DIRECTORS

President	Bob Eckweiler	AF6C	639-5874
Vice President	Herb Rosenberg	KG6OK	857-2932
Secretary	Frank Smith	WA6UKZ	838-3271
Treasurer	Chris Breller	KA6IMP (Wk) (Rm4)	651-2585 651-3911
Activities Chairman	Joe Partlow	KB6FZU	542-3122
Membership Chairman	John Meacham	N6LMX	842-4782
Public Relations O. T.V.I. Chairman	Al Watts Ken Konechy	W6IBR W6HHC	531-6245 541-6249
Member At Large	Kei Yamachika	W6NGO	538-8942
Member At Large	Dottie Watts	W6IBP	531-6245

CLUB APPOINTMENTS

Club Historian	Bob Evans	WB6IXN	543-9111
W6ZE Trustee	Bob Eckweiler	AF6C	639-5874
R.F. Editor (Acting)	Bob Eckweiler	AF6C	639-5874
Teen Representative	(open)		

CLUB FUNCTIONS

MONTHLY MEETING: 3rd Friday of each month, 7:30PM at:
MERCURY SAVINGS & LOAN
1095 Irvine Blvd. (4th St becomes Irvine)
Tustin, Ca.

Mar 15th

Apr 19th

May 17th (Take the 4th St. exit to the 55 FREEWAY
and head east. Continue about two blocks
past Newport Blvd. on the left.)

CLUB BREAKFAST: 1st Saturday of each month, 8:00AM at:
MIMI's CAFE
17231 17th Street
Tustin, Ca. (714) 544-5522

Apr 6th

May 4th (55 FREEWAY at 17th Street east.)

CLUB NETS

BAND	MODE	DAY OF WEEK	LOCAL TIME	FREQ MHz
2 Meters	FM	Wednesday	2100 hrs.	146.550
15 Meters	SSB	Wednesday	2000 hrs.	21.375
15 Meters	CW	Sunday	2000 hrs.	21.175

(Listen for W6ZE, net control)

XX

PRES SEZ: Our speaker at the February meeting, Julian, N6ARE gave quite an interesting talk on Oscar satellites. The meeting ran a little late, but everyone seemed to be enjoying the program so much I let it run longer than normal. Just about everyone in the audience, including me, appeared to be paying close attention to Julian's presentation. Maybe we can get him back in the future. I hear he is an expert on Ni-Dads.

Club badges are quite a problem. Being round, and having the club name around the perimeter, appear to be a problem for many of the manufacturers. I'm totally against changing the badge design so the search continues. Hopefully I'll have something to report soon. If you can be of any help give me a call.

Below is a newspaper article about a local ham's antenna farm. You may have seen the antennas from the Newport Fwy, north of Chapman Ave. Lots of beams and quads on multiple towers and all on a residential lot. The city of Orange has had a very reasonable policy towards ham antennas. I hope this hasn't changed their feeling. The right to put up ham antennas is one we must constantly fight for. Let's not lose that right by overstepping our bounds.

de AF6D

Tall antenna towers coming down, owner loses variance from council

by Lisa Redfield/OCN

The Orange City Council revoked a variance that would allow a ham operator to have a tower of more than 55 feet on his property because of non-compliance with the conditions of the variance.

Herbert Koch, who lives on Rose Avenue and near the Newport (55) Freeway, is a ham operator and among other violations, was to provide calculations for two towers' construction from a licensed structural or civil engineer. Koch signed a Plan Correction Sheet March 12, 1984, but Koch is an electrical engineer, a memorandum from Orange City Attorney Furman Roberts said.

A variance had been approved Aug. 4, 1983, but Roberts said in the memo that Koch, who had been informed that he had not been in compliance with the variance, requested that he appear before the council to "show cause why his variance should not be revoked."

Koch said that he does not have the funds because of family problems.

The ham operator's neighbors have complained about the towers because of the potential danger they pose to the residents.

"They do not belong in the neighborhood," said Janet Johnson, spokesperson for the residents living in the area. "We would accept 50 to 55 feet tall towers."

She went on to say that special zoning should be required when towers get that high and that if the tower were to topple over during one of the Santa Ana Winds, the two towers could hit one of the high tension wires. Also Johnson alleged that debris fell from the antenna that Koch had constructed as well as accused him of deceiving the people in the city of Orange. Koch started construction of the tower and did not seek a permit and again Koch did not request a variance until after the antenna had reached beyond the 55 foot limit.

Koch denied the allegations made by Johnson saying that nothing had fallen and while city staff said that the towers had reached 95 feet, Koch claimed that the tallest of the two reached 69 feet.

"(The towers' construction) appear to be in violation," Mayor James Beam said and moved that the variance be revoked.

All of the council members said that they new that ham operators were very needed and helpful in times of emergencies but that Koch was in non-compliance. Johnson said that there were many other ham operators in the city and that the city code was very liberal because it allows antennas of up to 30 feet without a permit.

The vote to revoke was unanimous with council member Jess Perez absent during the evening session.

Koch has 90 days to remove the towers.

FEB MEETING MINUTES:

- o The February 15th meeting was opened at 1932 by Bob, AF6C, President, with the Pledge of Alligence.
- o Secretary Frank, WA6VKZ, held roll call of officers. All present. (Probably a first).
- o Fried Heyn, WA6WZ0, made some ARRL announcements:
 1. Support SR36.
 2. S.W. Division Convention. (Sen. Goldwater, K7UGA, to speak).
 3. Catalina Repeater Ass'n Hamfest next Sept. 21/22 at O.C. Fairgrounds.
 4. Joe Brown, W6UBQ, introduced as new SCM beginning April 1st.
 5. Join ARRL.
- o Old Business:
 1. Hospital Radio Therapy loan of equipment was approved.
 2. Kei, W6NG0, thanked everyone for the get well card.
 3. Al, W6IBR, commented that Orange County School District needs speakers for amateur radio during school hours.
- o Guest Speaker Julian, N6ARE, was introduced by U.P. Herb, KG6OK, and gave a talk on Oscar Satellites. The talk was very well received.
- o Visitors were introduced. (KB6GIO, WD6DVT, WD6DIY, KB6BPT, W6YBI, W6UBQ).
- o Frank, WA6VKZ, request help in moving some beams, rotors and mast that he is donating to the club.
- o Treasurer report was given: Checking account - \$1776.07; Savings account - \$591.65; Generator fund - \$297.45.
- o Committee Reports - Activities:
 - Pizza Bash March 16th. Place will be announced in March "RF".
 - Joe to hold a Field Day committee meeting.
- o Good of the Club:
 1. Visitors invited to join club breakfast.
 2. OCCARO meeting to be held on March 12th.
 3. Liaison with ARRL Section - W6RE mentioned.
 4. Nets.
- o The meeting was adjourned at 2136.

Frank WA6VKZ, Secretary.



Visitors Log: Feb 15th Meeting.

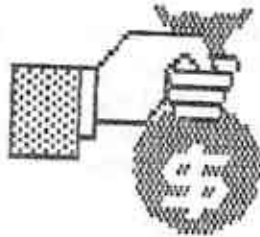
- Welcome:
- Jon Mardal, KB6GIO, of Garden Grove.
 - Peter Jacobs, WD6DVT, of Irvine.
 - Alfred Huang, WD6DIY, of Irvine (a former member).
 - Bob Diomartich, KG6JW, of Irvine.
 - B. Dale Gibson, KB6BPT.
 - William R. Strong, (no call) of Beulah, Wyo.
 - Hugh Davis, W6YBI, of Irvine.
 - Joe Brown, W6UBQ, of Costa Mesa.

ARRL CONVENTION:

The Southwest Convention will be held on the Queen Mary August 9th to 11th. Banquet seating is limited. If you'd like to sit in a group with other club members call Hugh Davis W6YBI at (714) 786-7321. He is coordinating seating for our group. Banquet tickets are \$25. General admission is \$6. (\$5 before June 1st).

XX

DUES are DUE!



To remain a member in good standing of the club your dues must be paid by the end of the March meeting. Our treasurer 'Jingles' Breller, Capt. USMC (Unreasonable Stubborn Money Collector) will be at the meeting to assist you. He confirms that he can't assure good propagation to those who haven't paid their dues.

FOR SALE:

Contact Mickie at (714) 897-0233 concerning the following items:

- Craig Model 4104 C.B. Radio \$55.00
- H.P. Frequency Counter(make offer)
- Collins 51S-1 Receiver \$600.00
(General coverage version of the 75S-3)
- Collins KWM-2 Transceiver \$400.00
- Collins 156F Speaker/Power Supply for KWM-2 \$75.00

Prices are negotiable.

MARCH 16th PIZZA PARTY

The club is holding a pre-St. Patty's day get together and Pizza Bust on Saturday March 16th. (The day after the meeting). It starts at 6:00 PM and will be held at ROUND TABLE PIZZA on 17th just west of Grand Ave. (Grand is also called Glassell Ave. to the north). in Santa Ana. If you don't like Pizza and/or beer they have great sandwiches, soup and salad, wine, soft drinks, coffee, milk, iced tea, etc! The official address is Santa Ana Square, 1212 E. 17th St. Santa Ana, Ca. This is a family social event so bring the whole family.

**PIZZA
BASH**



FIELD DAY MTG.

There will be a Field day meeting before the Pizza Bust, starting at 5:00 PM, for those interested. Contact Joe, KB6FZU for details.

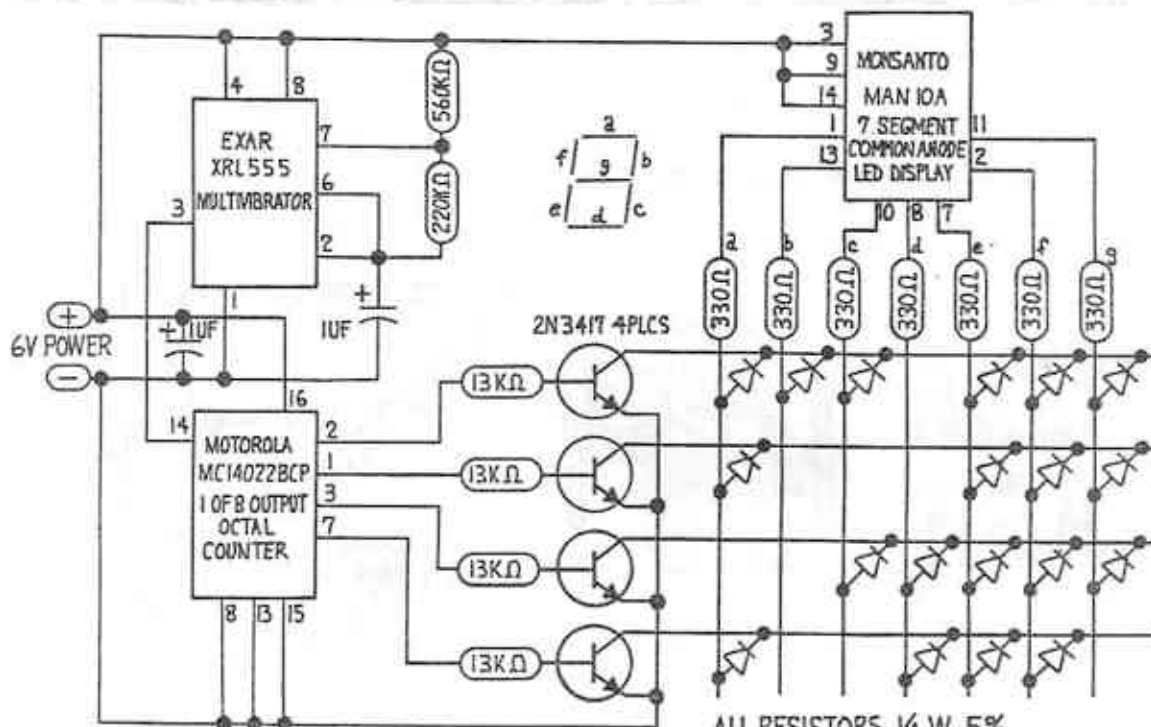
XX

CALL BADGE

Many people comment on my LED display badge that flashes AF6C one character at a time. The display is a 7 segment unit that was originally designed to display numbers. Unfortunately, there are only a few letters that can be displayed by the readout and W, K, and N (common letters in U.S. calls) are not among them.

Since I built the badge I've been keeping an eye out for a good way to expand the design so that all ham calls can be displayed. There are alphanumeric displays available in either a multi (13 to 17) segment unit or a 5x7 matrix unit but both require a lot of additional electronics and a heavy drain from the power source. (Big batteries, unless everyone at the club becomes tethered to a wall-plug by an extension cord!)

The badge's schematic is shown below. It was designed with power consumption in mind, and draws only an average of 16 ma. from a 6 volt source. The multivibrator, a CMOS low power version of the 555 timer chip, produces 1 Hz pulses that step a CMOS one-of-eight counter. During four of the eight counts the transistors are off and nothing is displayed. During the other four counts the transistors are turned-on, one at a time, for one second. The memory that holds the call letters consists of a 7x4 diode matrix that is programmed by inserting diodes at the proper junctions. (continued on next page)...



RF6C CALL DISPLAY BADGE

ALL RESISTORS 1/4 W 5%
ALL CAPACITORS DIPPED TANTALUM 15V
ALL DIODES IN914 OR IN4148

Schematic Diagram

Call Badge cont...

When a transistor is on, the horizontal line connected to its collector is low. Each of the seven vertical lines connect, thru current limiting resistors, to a segment of the display. If a diode is present at a junction in the matrix then that segment will light when the transistor is on. The top row of the matrix has diodes at all points except for the 'd' segment. So, when the top transistor is on, all the segments except the 'd' segment will light, displaying an 'A'.



The Official Observer system really works!
You operated out of the band Wednesday.

A 64 by 8 bit PROM that is cheap and has low power consumption would be ideal to drive a 5 by 7 LED alphanumeric display. Unfortunately, none appear to be available. A diode matrix of that size would not be practical but a smaller 6 by 14 diode matrix could be used to drive a 14 segment display. Again, unfortunately, all the 14 segment alphanumeric displays I've seen are available in multi digits only.

If anyone finds a device that will help expand the badge so it can be used with all the alphanumeric characters, please pass a data sheet on to me. This could develop into a fun club project.

de AF6C

On The W6ZE Nets:

Here is a list of the W6ZE net check-ins for the month of February. If you are on the list you may get a nice surprise at the March meeting. But, if you aren't... well there's always next month. However, if you wait till the March meeting to see what the lucky surprise is, then you'll miss most of the list for the April surprise! So check-in on the next net. The more you check-in the better your chance to be surprised!!!!!!!

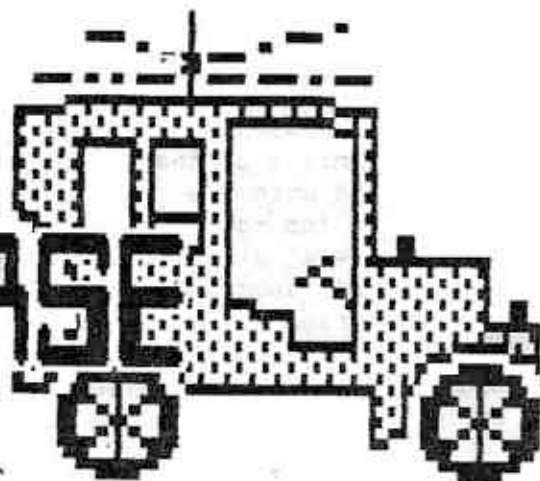
The inaugural 15 meter net was a success with 5 check-ins and 2 members listening in. Let's keep the nets active. WE WANT MORE CHECK-INS

15CW: 2/3-W6IBR KB6E2T WB6IXN KA6IMP, 2/10-W6IBR WB6IXN KB6E2T, 2/17-W6IBR WB6IXN KB6E2T, 2/24-W6IBR WB6IXN, 15SSB: 2/6-AF6C KG6OK KD6XO WA6BPX KA6IMP, 2/13-AF6C KD6XO WA6IXN WA6BPX, 2/20-AF6C W6NGO WB6ULU KD6XO W6RE, 2/27-AF6C W6NGO WA6BPX WB6IXN KD6XO, 2FM: 2/6-KA6IMP W6RE W6MIL WA6RNA KG6OK AF6C, 2/13-AF6C KA6IMP W6IBR W6LMX W6HHC W6RE WA6RNA KD6XO, 2/20-W6IBR W6NGO W6RE KD6XO WB6AJV AF6C, 2/27-W6IBR AF6C W6NGO WA6BPX W6MIL KA6GJI W6RE WB6AJV.

XX

THIS MONTH'S PROGRAM...

REMOTE BASE RADIO!⁷⁵



How to operate a fixed HF station from your H.T.

[Page 8]

ORANGE COUNTY AMATEUR RADIO CLUB
P.O. BOX 1784
ORANGE, CA. 92668



FIRST CLASS!